



MITSUBISHI
Pajero Pinin



Type: 027181



1950 kg



75 kg

Montagehandleiding
Fitting instruction
Anbauanweisung
Description de montage
Instrucciones de montaje
Montagevejledning



EC 94/20



1500 kg

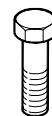
D

waarde
value
Wert
valeur

(c) Bosal 30-11-2000

e4 00-1656

8,5 kN



1x M12x35
4x M12x1,25x35
1x M12x40
4x M12x1,25x40
2x M12x50
2x M12x70



2x M12



4x M12



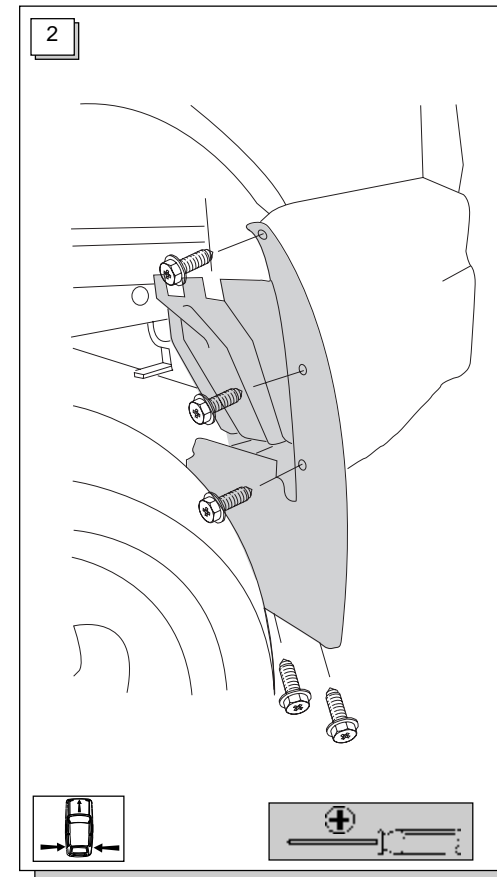
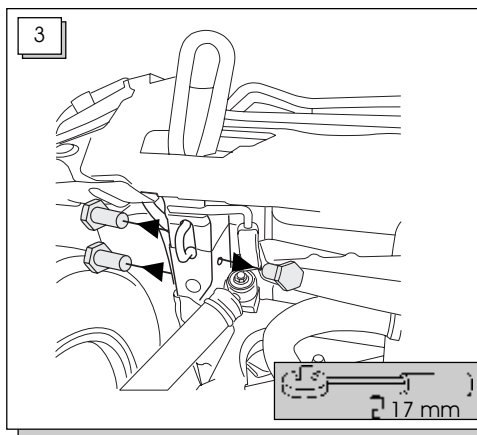
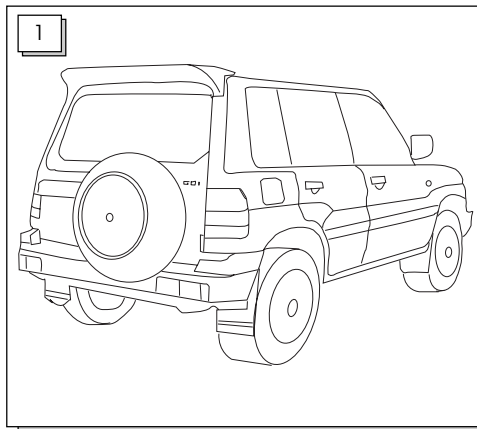
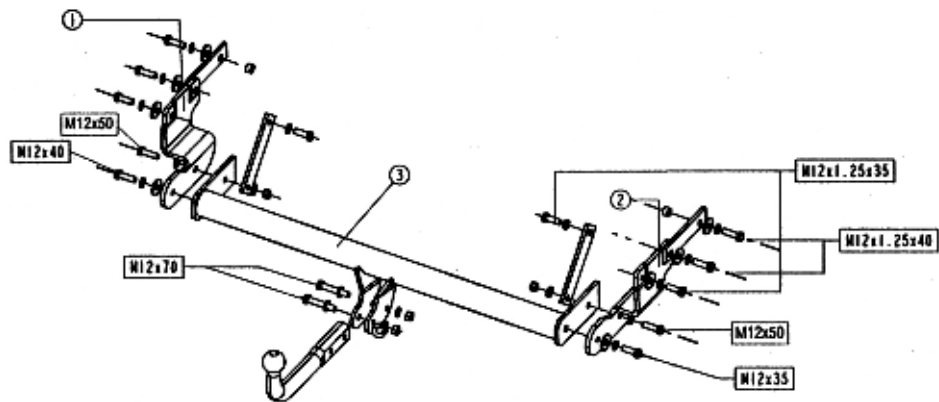
10x M12

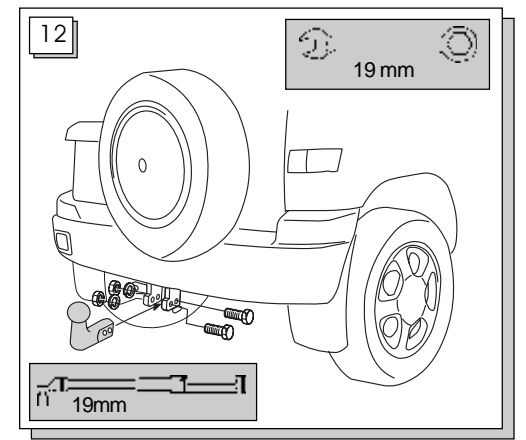
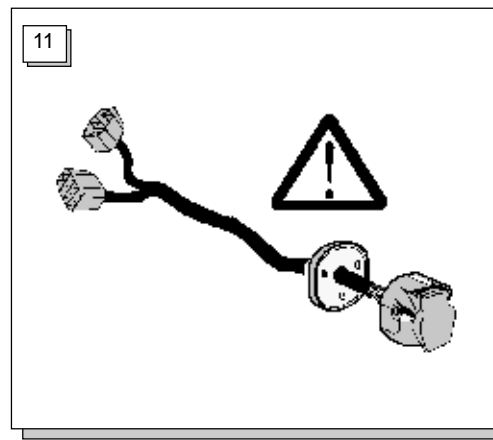
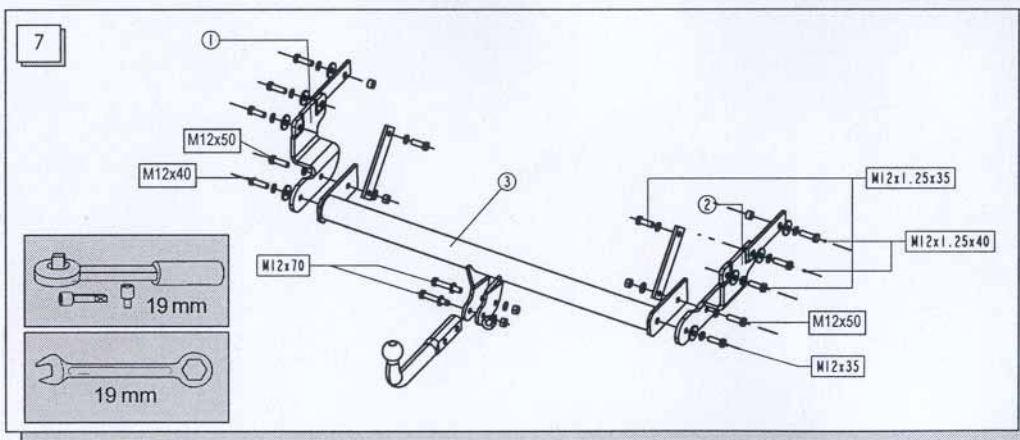
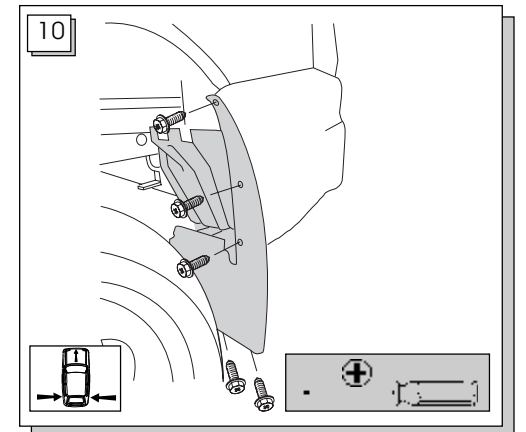
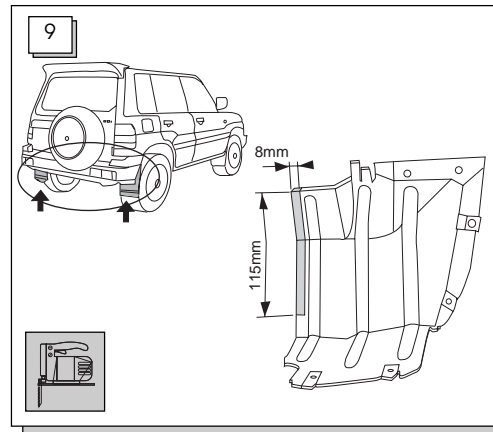
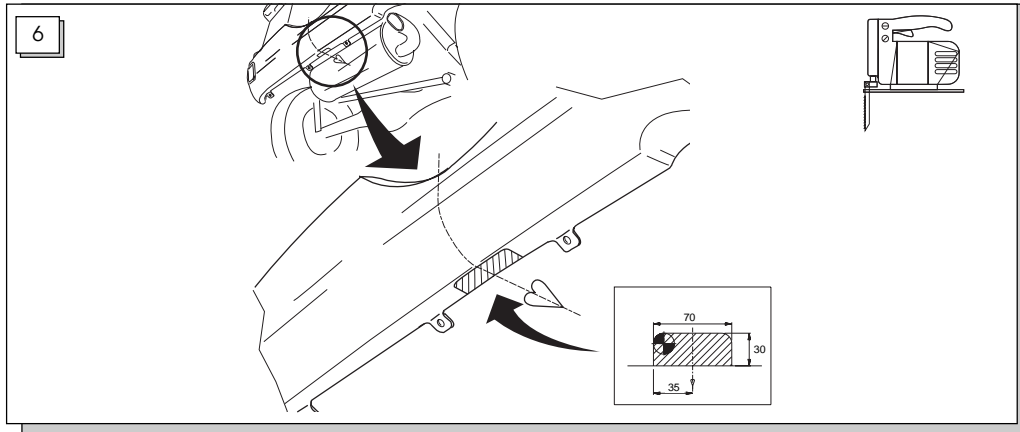
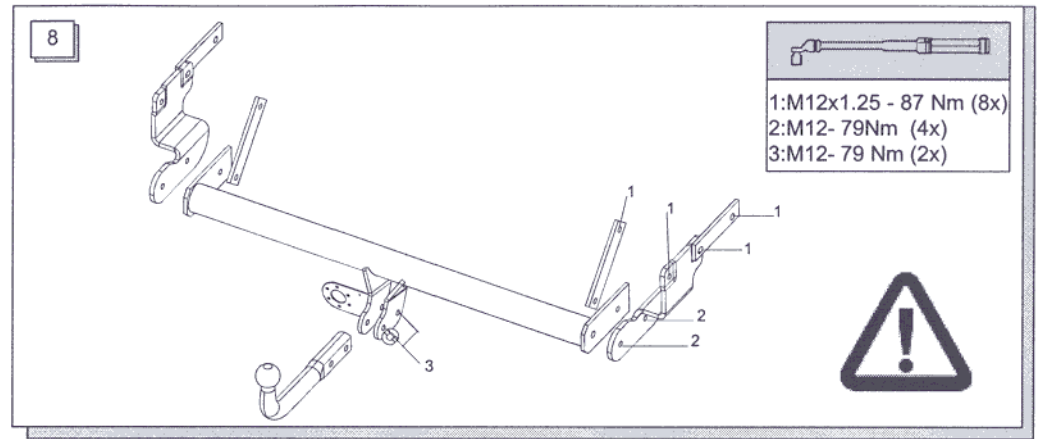
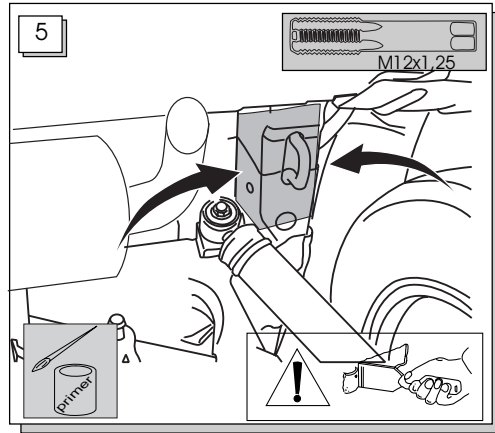
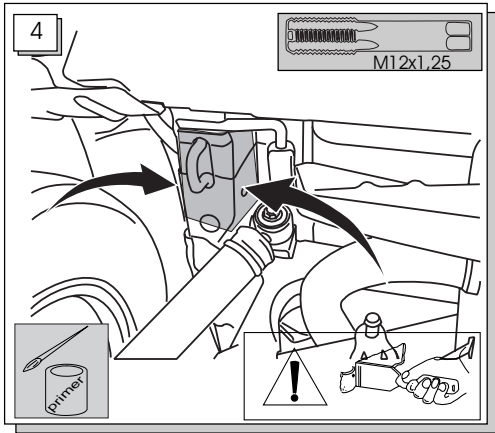


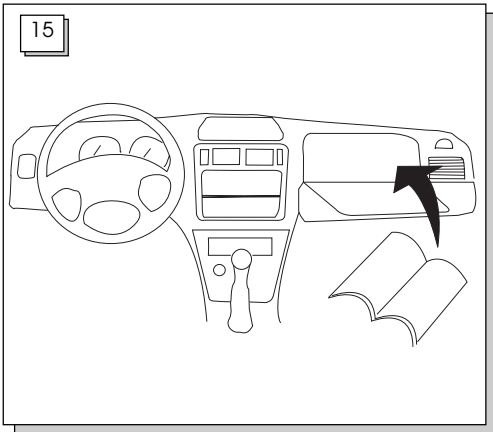
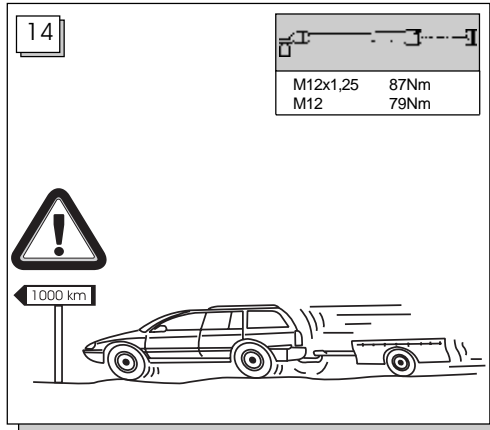
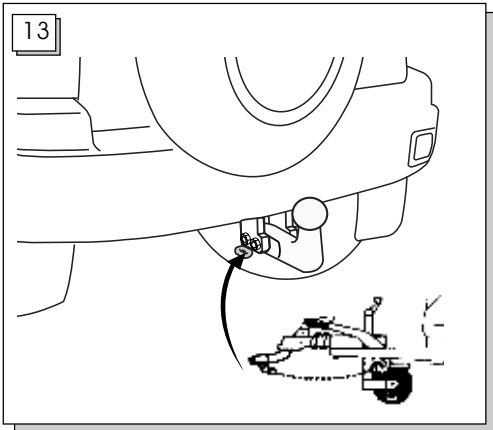
14x M12



2x L=11







Notes: